



Multilane Stickpack



NICHROME

Multilane Stickpack with Volumetric Multiple Cavity Filler

- For Free Flow Products
- For Food Chains and Hospitality Industry
- CE Compliant



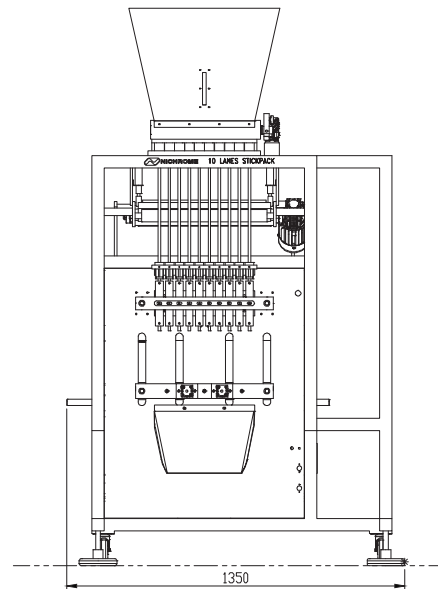
NICHROME
Packaging Solutions

An ISO 9001:2008 and ISO 22000:2005 Certified Company

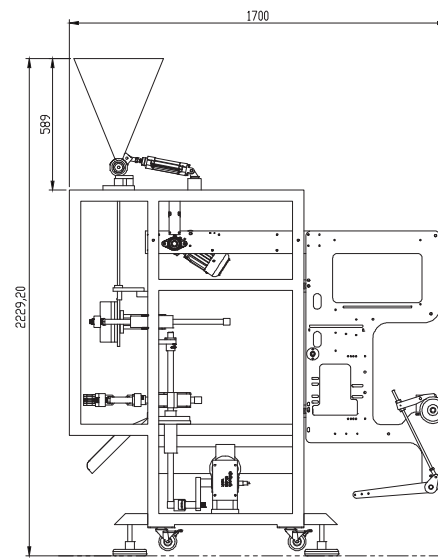
www.nichrome.com

Technical Specifications

Pack Style/Format	Centre seal stickpack
No. of Lanes	10 Lanes (depending on stick width)
Quantity	1-5 g, 3-7 g or 5-10 g (dedicated for specific range option)
Capacity	450 to 500 packs/ min
Packing Material	Heat Sealable laminate films like Polyester/Poly, Metalised Polyester/poly, Paper/poly etc.
Pack Size Range	17 mm W x 45 - 170 mm L (Adjustable)
Maximum Roll Width	400 mm max.
Maximum Roll Diameter	400 mm
Air Consumption	6 bar, 300 litres/min
Electrical Supply	Stabilised 415 VAC, 3 phase, 4 wire, 50 Hz, 3 KWH
Overall Machine Dimension	1350 mm W x 1700 mm D x 2230 mm H
Weight of the Machine (approx.)	600 kg



FRONT VIEW



SIDE VIEW

Multilane Stickpack Bagger

- Machine Structure in Stainless Steel
- Equipped with CE certified PLC controller
- Pneumatically operated bag length control with table draw-off system
- Pneumatically operated longitudinal and cross sealing jaw assemblies suitable for Laminates
- Suitable built in forming size parts suitable for dedicated quantity for each lane
- Equipped with print mark registration unit for use of panel printed films
- PID Temperature controllers suitable for constant sealing system
- Built in Safety door guards with machine off interlock
- Various options of date batch coding units

Volumetric Multiple Cavity Filler

- Pneumatically operated ten cavity rotary drum type volumetric cup filler
- Adjustable Product Volume for one single Range
- Product see through window for Hopper of Volumetric cup filler
- Product contact parts in SS 304 material of construction
- Equipped with product hopper of 25 liters capacity approx.
- Mesh at the product inlet to avoid entry of foreign particles

Applications

Sugar, Table salt, Pepper, Mouth freshener etc. ,

Pouch Formats

Centre Seal Stickpack



NICHROME
Packaging Solutions

NICHROME INDIA LTD. Safire Park Galleria, 4, Pune-Mumbai Road, Shivajinagar, Pune - 411 005, India
Tel.: +91 - 20 - 6601 1001 Fax: +91 - 20 - 6601 1010 E-mail: marketing@nichrome.com www.nichrome.com

Service Centres & Offices at: Delhi | Kolkata | Mumbai | Bangalore | Hyderabad | Chennai | Ahmedabad | Chandigarh | Kanpur
ASEAN | MIDDLE EAST | SAARC | CIS | AFRICA | USA

Packaging Solutions For • Liquids • Grains • Powders • Seeds • Snacks • Pharma • Personal Care