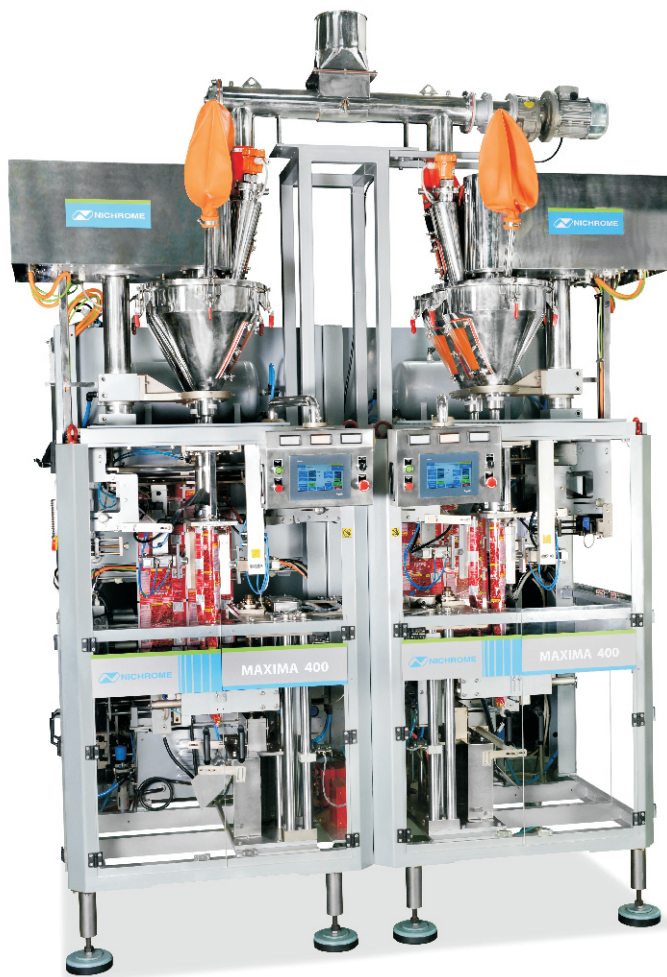




V F F S



NICHROME

Maxima 200/400 with Servo Auger

- High Speed
- Accurate
- CE Compliant



NICHROME
Packaging Solutions

An ISO 9001:2015 and ISO 22000:2005 Certified Company

www.nichrome.com

Salient Features

- Compact & versatile design
- PLC based control system
- Stand alone auto tuning PID temperature controller
- Pneumatically operated horizontal & vertical sealing system
- Servo motor driven table draw off bag pulling
- Single or perforated pouches in a chain can be produced
- Filler options like Servo Auger and twin cup filler available
- Modular construction and small footprint
- Interface with PC & data processors possible (Optional)
- Flexibility to pack different products with different quantities on each head
- Less operational cost due to reduced manpower & energy consumption

Optional Accessories

- Print mark scanner
- Date batch coder
- Inert gas flushing
- On line check weigher & metal detector
- Web guide system
- Pouch take up conveyor
- Product feed conveyor

Technical Specifications

	MAXIMA 200	MAXIMA 400
Bagger Speed	Upto 200 packs/min (DRY RUN)	Upto 400 packs/min (DRY RUN)
Pack Volume Range	25 to 550 cc	25 to 550 cc
Min. Pouch Size (WxL)	70x70 mm	70x70 mm
Max. Pouch Size (WxL)	130x200 mm	130x200 mm
Supply Voltage	415 V AC 3 Phase, 50 Hz	415 V AC 3 Phase, 50 Hz
Connected Load	8 KW	15 KW
Air Supply	At 6 Bar	At 6 Bar
Air Consumption	22.5 Cu meter/hr at max speed	45 Cu meter/hr at max speed
Pouch Style	CSPP	CSPP
Packaging Material	Heat Sealable Laminate	Heat Sealable Laminate
M/C Dimensions (WxDxH)	1100 (W) x 1750 (D) x 2320 (H)	2200 (W) x 1750 (D) x 2320 (H)
Film Roll Dia. (Twin type)	350 mm Max.	350 mm Max.

Applications

Ground Spices, Blended Spices, Dairy Whitener, Pre-mix Powders, Soup Mixes, Other Powders, Granular Products

Pouch Format



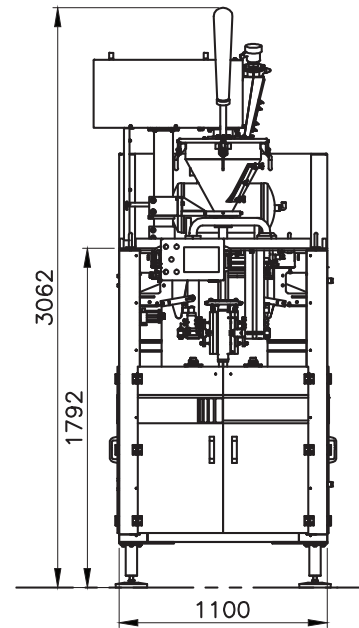
CSPP



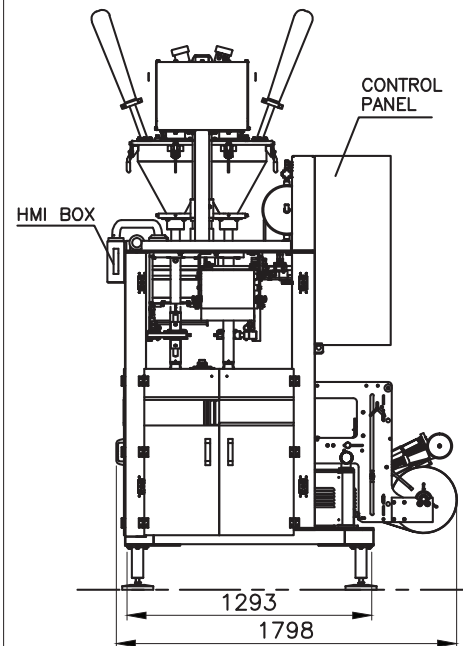
CSPP Chain of Pouches

Maxima 200 with Servo Auger

Front view



Side view



Terms & Conditions

1. Speeds and accuracies mentioned are at ideal conditions and may vary depending upon product being packed and packaging material used.
2. We reserve the right to incorporate changes, modify and upgrade as found appropriate for specific application of packaging so as to fine tune the product with machine.
3. Specifications are subject to change without notice.
4. Photographs are for reference only and actual models may vary.

www.intericdesigns.com



NICHROME
Packaging Solutions

NICHROME INDIA LTD. Safire Park Galleria, 4, Pune - Mumbai Road, Shivajinagar, Pune - 411 005, India
Tel.: +91 - 20 - 6601 1001 Fax: +91 - 20 - 6601 1010 E-mail: marketing@nichrome.com www.nichrome.com

Service Centres & Offices at: Delhi | Kolkata | Mumbai | Bangalore | Hyderabad | Chennai | Ahmedabad | Chandigarh | Kanpur
ASEAN | MIDDLE EAST | SAARC | RUSSIAN FEDERATION & CIS | AFRICA | USA

Packaging Solutions For • Liquids • Grains • Powders • Seeds • Snacks • Pharma • Personal Care